

- Product effectiveness may be reduced when used with water systems containing high levels of iron or with systems that use chemicals such as polyphosphates.

WARRANTY

The manufacturer warrants the product to be free from defects in materials and workmanship when installed, operated, and maintained in the manner instructed in this document. Filter housing is warranted for a period of one year from the date of purchase. The filter cartridge is warranted for a period of 90 days from the date of purchase. The manufacturer will repair or replace any shower filter that fails to perform due to faulty materials or workmanship. Items not covered under the warranty include: damage due to misuse, improper maintenance, improper installation, excessive water pressure or temperature, freezing, or general misapplication of the product's use and purpose. There are no warranties, expressed or implied, other than those stated herein. Rainshower is not liable in any way for any damages arising from the misuse or misapplication of this product. To make claims under this warranty, please contact your Rainshower dealer.



The CAMEO-RS is tested and certified by Water Quality Association according to NSF/ANSI Standard 177 for the reduction of free available chlorine. While testing was performed under standard laboratory conditions, actual performance may vary.

RAINSHOWER

7251 Cathedral Rock Dr.,
Las Vegas, NV 89128
702.483.4410
www.rainshower.com

For shipping and orders: orders@rainshower.com • For new dealer inquiries, product questions, and general information: marketing@rainshower.com • For all other inquiries: headquarters@rainshower.com

F539-RS / 0421

RAINSHOWER

 | RENEW
Shower Filter

INSTRUCTION GUIDE

Thank you for your purchase of Rainshower's Renew Shower Filter. The Renew is designed to treat the chlorine in your shower for up to 25,000 gallons of water, or one year of usage, whichever occurs first.

NOTE: This product contains non-toxic granular filter media, produced within the regulations of The Safe Drinking Water Act (PL 99-339, June 19, 1986).

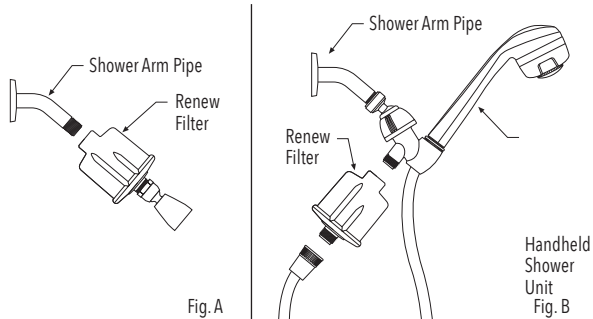
Some of the smallest grains of filtration media may shake out during shipping and handling. This is normal, and does not mean that the filter is defective or damaged in any way. When the filter is wet, the grains are held together and are not flushed out by the water flow during operation. The operational life of this product may vary depending on the quality of the source water and proper maintenance. Areas with high levels of particulate matter in the source water or excessive scale buildup in the pipes may result in a reduction in water flow. This product and installation shall comply with state and local regulations, and is not intended for use as a drinking water treatment unit.

SPECIFICATIONS

SKU	CAMEO-RS
Approximate Filter Capacity	25,000 gallons
Approximate Flow Rate	2 gpm
Housing Composition	ABS Plastic
Housing Dimensions	2.75" x 2.75"
Product Weight	21-22 ounces
Filter Media	KDF-55
Working Pressure Range	30 psi (2.1 kg/cm ²) to 100 psi (7.0 kg/cm ²)
Operating Temperature Range	40° F (5° C) to 110° F (43° C)
Chlorine Reduction	84.1% or more

FEATURES

- The Renew shower filter is designed to provide long-lasting performance for a variety of water conditions.
- Special crystalline quartz technology acts upon the water to create a softer feel and a more energizing experience.
- When used with an effective flow-reduction showerhead for optimal water delivery, this product can save water and energy costs.



INSTALLATION

1. Locate the red plastic plug on the Renew inlet connector and remove the plug.
2. Remove the existing showerhead by rotating it counter-clockwise to unthread from the shower arm pipe.
3. If you use a manual shutoff valve with your shower arm, make sure that the shutoff valve is attached to the shower arm BEFORE the shower filter connection.
4. If your shower arm has an integral ball joint:
 - a. Replace the fixture with a standard 1/2" shower arm (available at most hardware stores), OR
 - b. Use an adapter (available at most hardware or plumbing supply stores) to connect the shower filter.

5. If your shower uses a handheld showerhead:
 - a. For a standalone handheld showerhead:
 - i. Attach the shower filter before the showerhead mount, or
 - ii. Attach the shower filter between the showerhead mount and the showerhead hose.
 - b. For a showerhead with additional handheld showerhead: Attach the shower filter before the showerhead selector valve.
6. Attach the shower filter by threading it onto the shower arm and rotating clockwise by hand. **HAND TIGHTEN ONLY.** Do not overtighten.
7. Reconnect the showerhead by rotating it clockwise on the outlet connector (male thread) of the shower filter. **HAND TIGHTEN ONLY.** Do not overtighten.
8. Turn on the shower and allow water to run through the filter for 30 to 60 seconds before the first use.

LIMITATIONS

- This product is designed for use on potable systems only.
- This product effectively reduces free chlorine only.
- This product does not introduce anything harmful to the water.
- This product is not intended for use as a drinking water filter.
- Do not allow this product to freeze.
- Do not use any type of sequestering agent (polyphosphates) ahead of the filter.